

WAFER BUTTERFLY VALVES AIR CONTROL VALVES

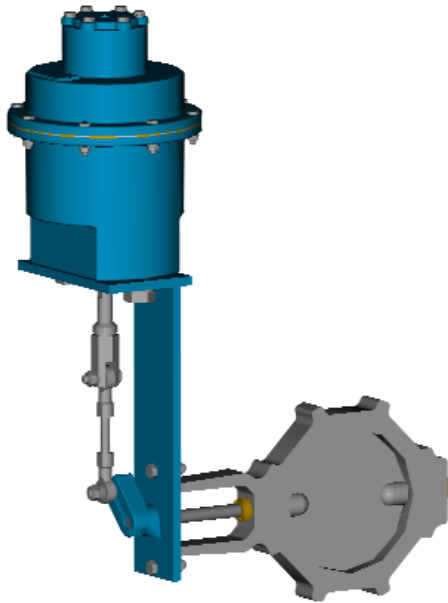
MODEL: 1351 - WBV - MANUAL
1352 - WBV - CMAP
1353 - WBV - CPAP

Revision: 1

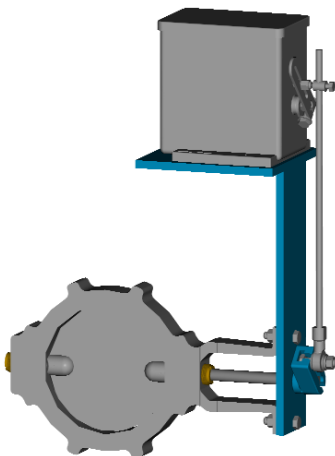
BULLETIN
1351 - 1353

DESCRIPTION

High capacity air flow in low pressure lines (up to 50 psig) is easily controlled with the Wafer Butterfly valve. These units are designed to mount between ANSI 125# flanges. Valve ports are precision bored to full pipe area. Pressure drop across valve is equivalent to 1-1/2 lineal feet of pipe.



WBV WAFER VALVE WITH PA-63 ACTUATOR



WBV WAFER VALVE WITH ELECTRIC PROPORTIONING MOTOR



WBV MANUAL WAFER VALVE

FEATURES

- Manual dial pointer indicates valve position.
- Slight turn of knurled handle locks valve in any position.
- Wafer fits between standard 125# ANSI flanges.
- Flange bolts fit wafer to center valve and disc.
- Adjustable minimum stop permits repeatable low fire setting.
- Free swinging discs machined for maximum closures.
- Discs ribbed for maximum strength.
- Oiltite shaft bearings assure low friction alignment.
- Grease fittings installed for lubrication when required.
- Rugged cast iron bodies and discs.
- Easily converted to motorized operation on the job.
- 400 °F and 1200 °F service.

CAUTION: Operation of combustion equipment can be hazardous resulting in bodily injury or equipment damage. Each burner should be supervised by a combustion safeguard and only qualified personnel should install, make system adjustments and perform any required service.



pyronics inc.

COMBUSTION FOR INDUSTRY
 17700 MILES ROAD
 CLEVELAND, OH 44128
 www.pyronics.com

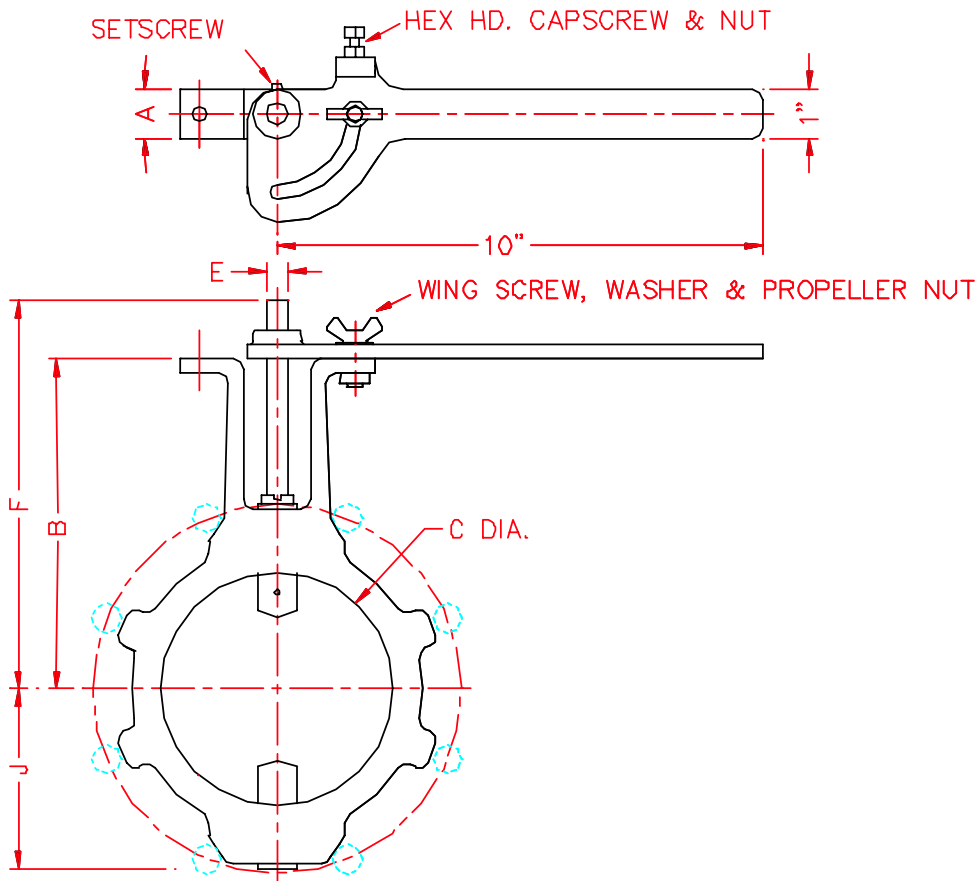
Tel: 216-662-8800
 Fax: 216-663-8954
 marketing@pyronics.com

NOTICE: PYRONICS practices a policy of continuous improvement in the design of its products. It reserves the right to change the specifications at any time without prior notice.

WAFER BUTTERFLY VALVES MANUAL SERIES

BULLETIN 1351,
1352, 1353
PAGE NO.2

DIMENSIONS - WBV, WBVH

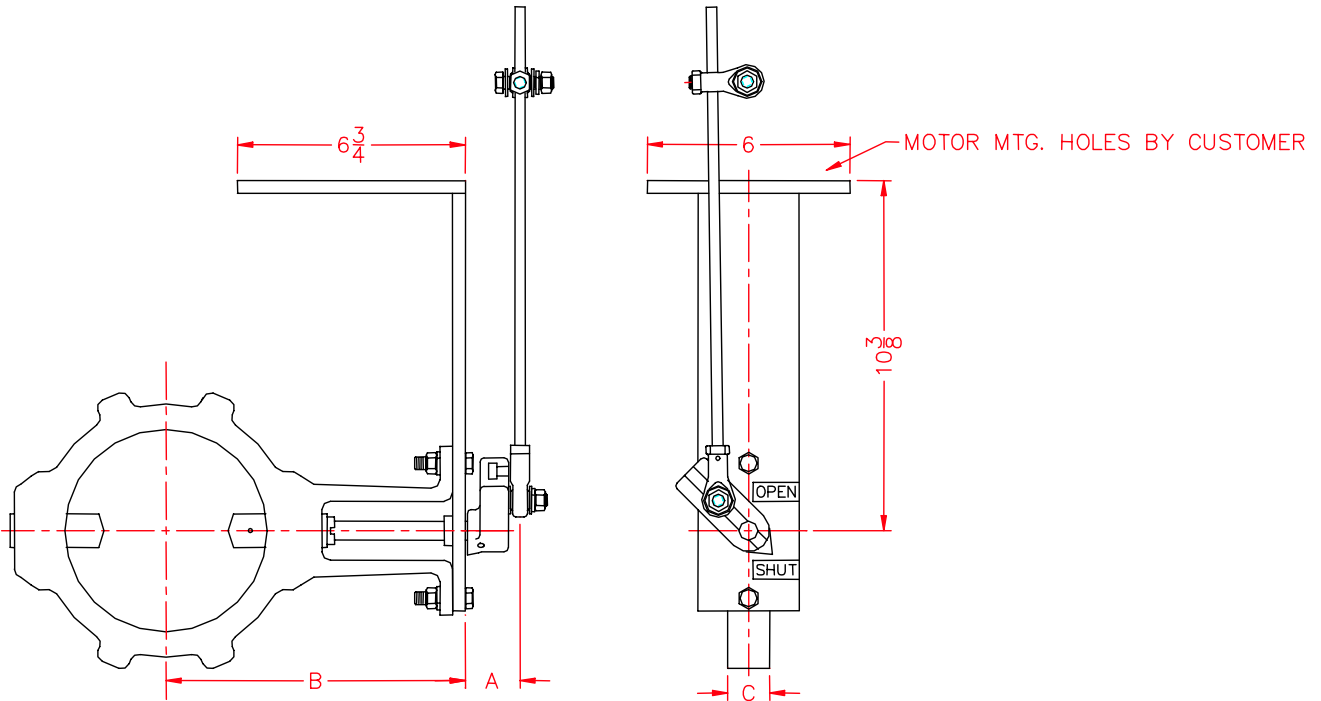


Pipe Size	Model No. - 400° F	Model No. - 1200° F	"A"	"B"	"C" DIA	"E" DIA	"F"	"J"
4"	1351 -- 32WBV	1356 -- 32WBVH	1-1/4"	7-1/2"	4"	1/2"	9"	3-3/4"
6"	1351 -- 48WBV	1356 -- 48WBVH	1-5/16"	8-1/2"	6"	9/16"	10"	4-5/8"
8"	1351 -- 64WBV	1356 -- 64WBVH	1-5/16"	9-3/4"	8"	9/16"	11-1/4"	5-5/8"
10"	1351 -- 80WBV	1356 -- 80WBVH	1-5/16"	11"	10"	9/16"	12-1/2"	6-5/8"
12"	1351 -- 96WBV	1356 -- 96WBVH	1-1/2"	12-1/2"	12"	3/4"	14"	8"
14"	1351 -- 112WBV	1356 -- 112WBVH	1-1/2"	13-1/2"	13-1/4"	3/4"	15"	8-5/8"
16"	1351 -- 128WBV	1356 -- 128WBVH	1-1/2"	14-3/4"	15-1/4"	3/4"	16-1/4"	10-1/8"

WAFER BUTTERFLY VALVES MOTORIZED SERIES

BULLETIN 1351,
1352, 1353
PAGE NO.3

DIMENSIONS -- WBV-CMAP, WBVH-CMAP



Pipe Size	Model No. - 400° F	Model No. - 1200° F	"A"	"B"	"C"
4"	1352 -- 32WBV-CMAP	1357 -- 32WBVH-CMAP	1-9/16"	7-7/8"	1-1/4"
6"	1352 -- 48WBV-CMAP	1357 -- 48WBVH-CMAP		8-7/8"	1-5/16"
8"	1352 -- 64WBV-CMAP	1357 -- 64WBVH-CMAP		10-1/8"	1-5/16"
10"	1352 -- 80WBV-CMAP	1357 -- 80WBVH-CMAP		11-3/8"	1-5/16"
12"	1352 -- 96WBV-CMAP	1357 -- 96WBVH-CMAP		12-7/8"	1-1/2"
14"	1352 -- 112WBV-CMAP	1357 -- 112WBVH-CMAP	2-1/8"	13-7/8"	1-1/2"
16"	1352 -- 128WBV-CMAP	1357 -- 128WBVH-CMAP		15-1/8"	1-5/8"

CAUTION: Operation of combustion equipment can be hazardous resulting in bodily injury or equipment damage. Each burner should be supervised by a combustion safeguard and only qualified personnel should install, make system adjustments and perform any required service.



pyronics inc.

COMBUSTION FOR INDUSTRY

17700 MILES ROAD
CLEVELAND, OH 44128
www.pyronics.com

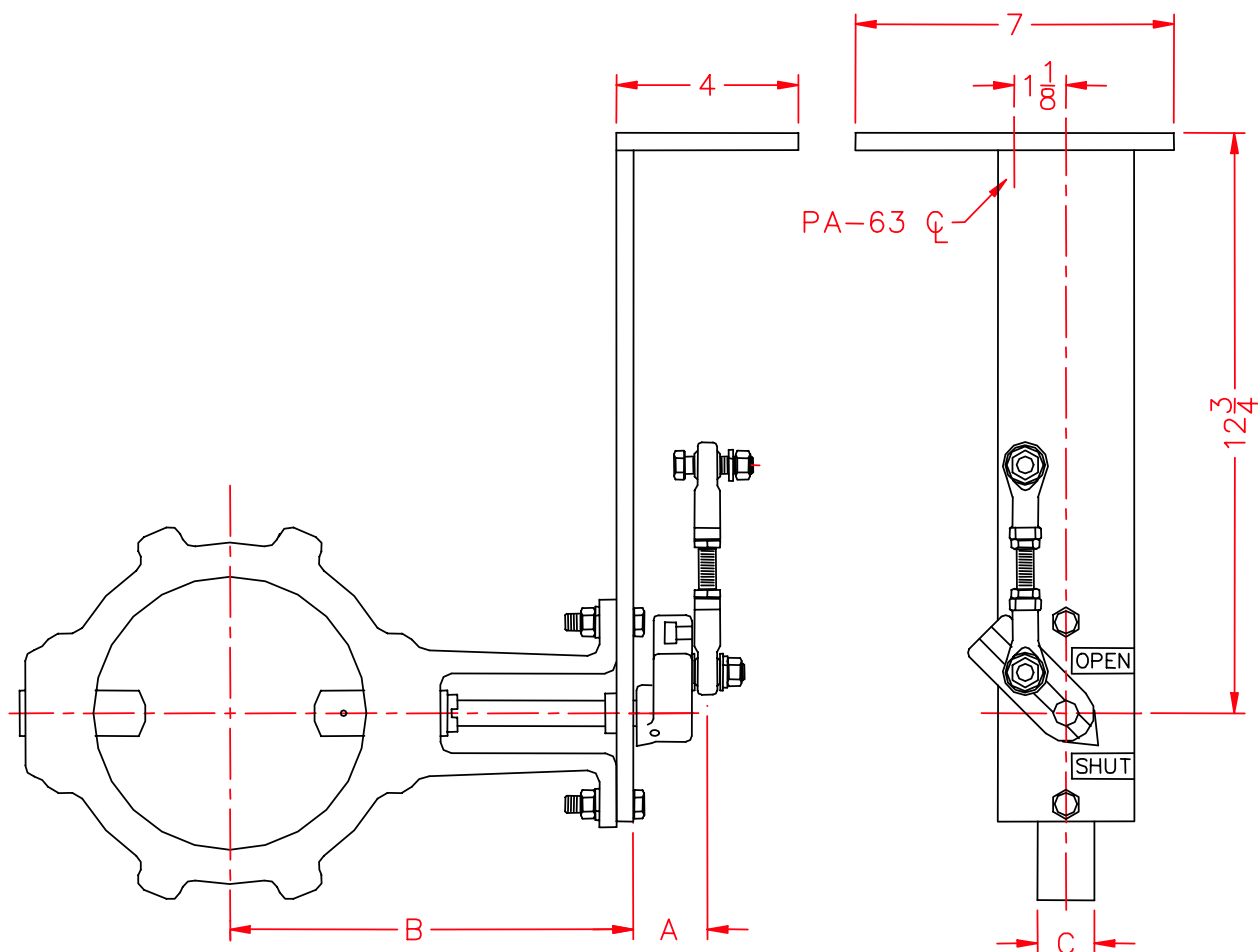
Tel: 216-662-8800
Fax: 216-663-8954
marketing@pyronics.com

NOTICE: PYRONICS practices a policy of continuous improvement in the design of its products. It reserves the right to change the specifications at any time without prior notice.

WAFER BUTTERFLY VALVES PNEUMATIC SERIES

BULLETIN 1351,
1352, 1353
PAGE NO. 4

DIMENSIONS -- WBV-CPAP, WBVH-CPAP



Pipe Size	Model No. - 400° F	Model No. - 1200° F	"A"	"B"	"C"
4"	1353 -- 32WBV-CPAP	1358 -- 32WBVH-CPAP	1-9/16"	7-7/8"	1-1/4"
6"	1353 -- 48WBV-CPAP	1358 -- 48WBVH-CPAP		8-7/8"	1-5/16"
8"	1353 -- 64WBV-CPAP	1358 -- 64WBVH-CPAP		10-1/8"	1-5/16"
10"	1353 -- 80WBV-CPAP	1358 -- 80WBVH-CPAP		11-3/8"	1-5/16"
12"	1353 -- 96WBV-CPAP	1358 -- 96WBVH-CPAP		12-7/8"	1-1/2"
14"	1353 -- 112WBV-CPAP	1358 -- 112WBVH-CPAP	2-1/8"	13-7/8"	1-1/2"
16"	1353 -- 128WBV-CPAP	1358 -- 128WBVH-CPAP		15-1/8"	1-5/8"

ORDERING INFORMATION

1. Orders for manual valves should specify quantity and catalog number.
2. Orders for motorized operation should specify valve catalog number, CMAP mounting bracket and control motor required. Example: 80 WBV-CMAP for a 10" wafer valve complete with modulating motor.