

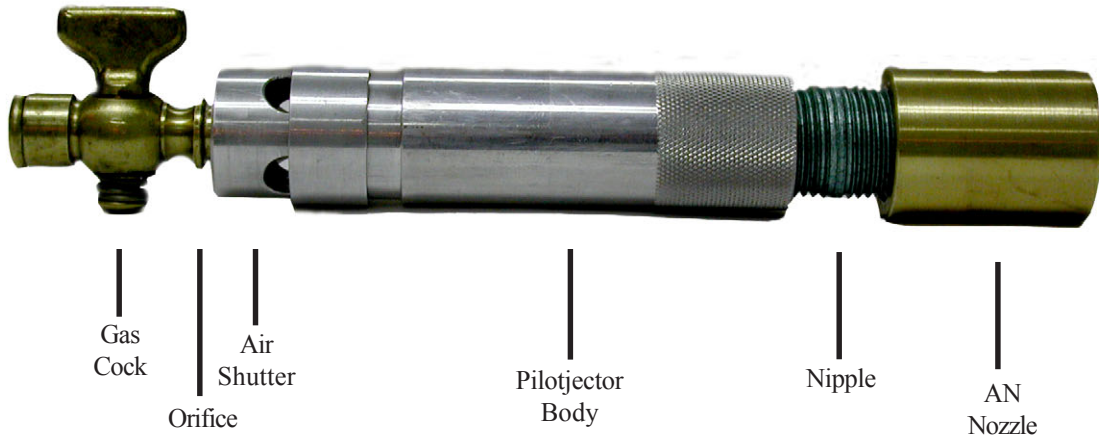
ATMOSPHERIC PILOT TORCHES

MODEL: AP

Revision: 0

BULLETIN
3274

ENLARGED VIEW



DESCRIPTION

Atmospheres Pilot Torches are made in four sizes and consist of a Pilotjector with cock, burner nozzle, and nipple. Elbow and two nipples may be used where desired. They are designed for general use where a long pencil-like pilot flame is desirable and are very stable even under considerable draft. As they require secondary air, they can only be used with atmospheric burners.

As torch units they are used on small immersion heating applications, small soft metal furnaces, dental laboratory furnaces, as singers, and hand torches for lighting other burners.

CAPACITY TABLE

Catalog No.	Nominal Capacities in BTU per hour for various gases				Net Weight
	550 BTU 3" Press.	800 BTU 4" Press.	1000 BTU 6" Press.	2500-3200 BTU 10" Press.	
41 AP	3,000	3,000	2,000	2,000	7 oz.
42 AP	6,000	6,000	4,000	4,000	8 oz.
43 AP	10,000	10,000	7,000	7,000	14 oz.
44 AP	15,000	15,000	12,000	12,000	18 oz.

Note: 1/8" Male Gas connection all sizes. Type of gas to be specified on order.

CAUTION: Operation of combustion equipment can be hazardous resulting in bodily injury or equipment damage. Each burner should be supervised by a combustion safeguard and only qualified personnel should install, make system adjustments and perform any required service.



pyronics inc.

COMBUSTION FOR INDUSTRY

17700 MILES AVE.
CLEVELAND, OHIO 44128
www.pyronics.com

PHONE: (216) 662-8800
FAX: (216) 663-8954
marketing@pyronics.com

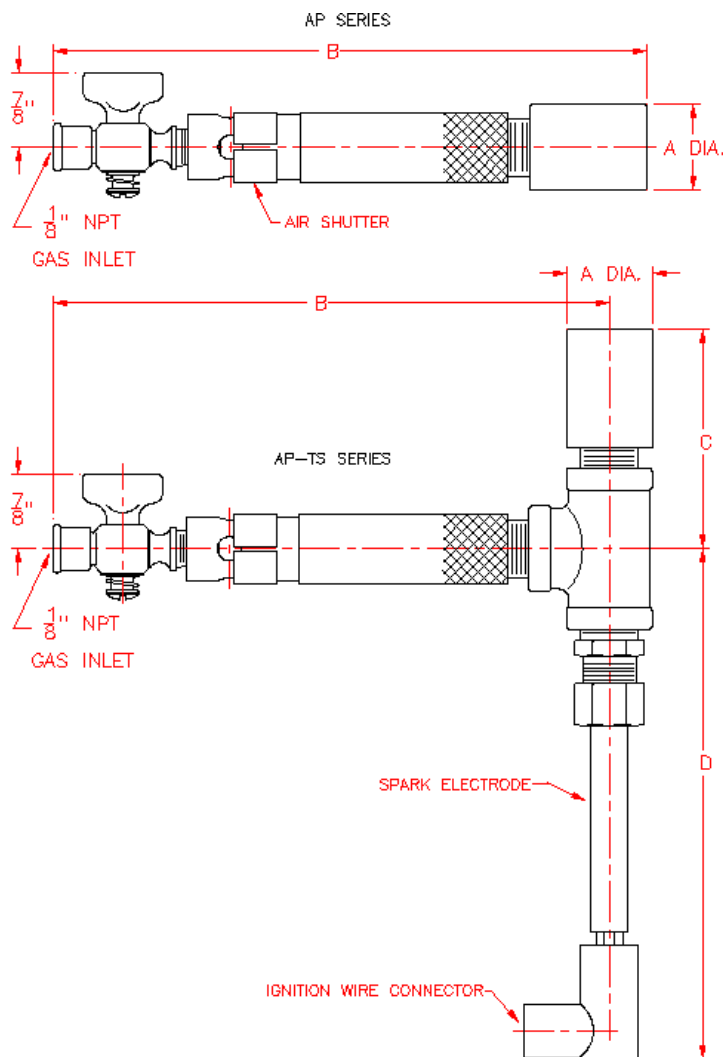
NOTICE: Pyronics practices a policy of continuous improvement in the design of its products. It reserves the right to change the specifications at any time without prior notice.

ATMOSPHERIC PILOT TORCHES

DIMENSIONS

Model No.	A DIA	B	C	D
41 AP	5/8	5-5/8	-	-
42 AP	3/4	5-5/8	-	-
43 AP	1	7	-	-
44 AP	1-1/8	7-1/2	-	-
43 AP-TS	1	6-1/2	2-1/2	6
44 AP-TS	1-1/8	7-1/8	2-3/4	5-3/4

Note: All dimensions are in inches $\pm 1/8$ "



ORDERING INFORMATION

Please include the following information with your order:

1. Quantity each item required.
2. Catalog number each item.
3. Kind of gas and pressure available.
4. Shipping instructions.